

SERIE SP

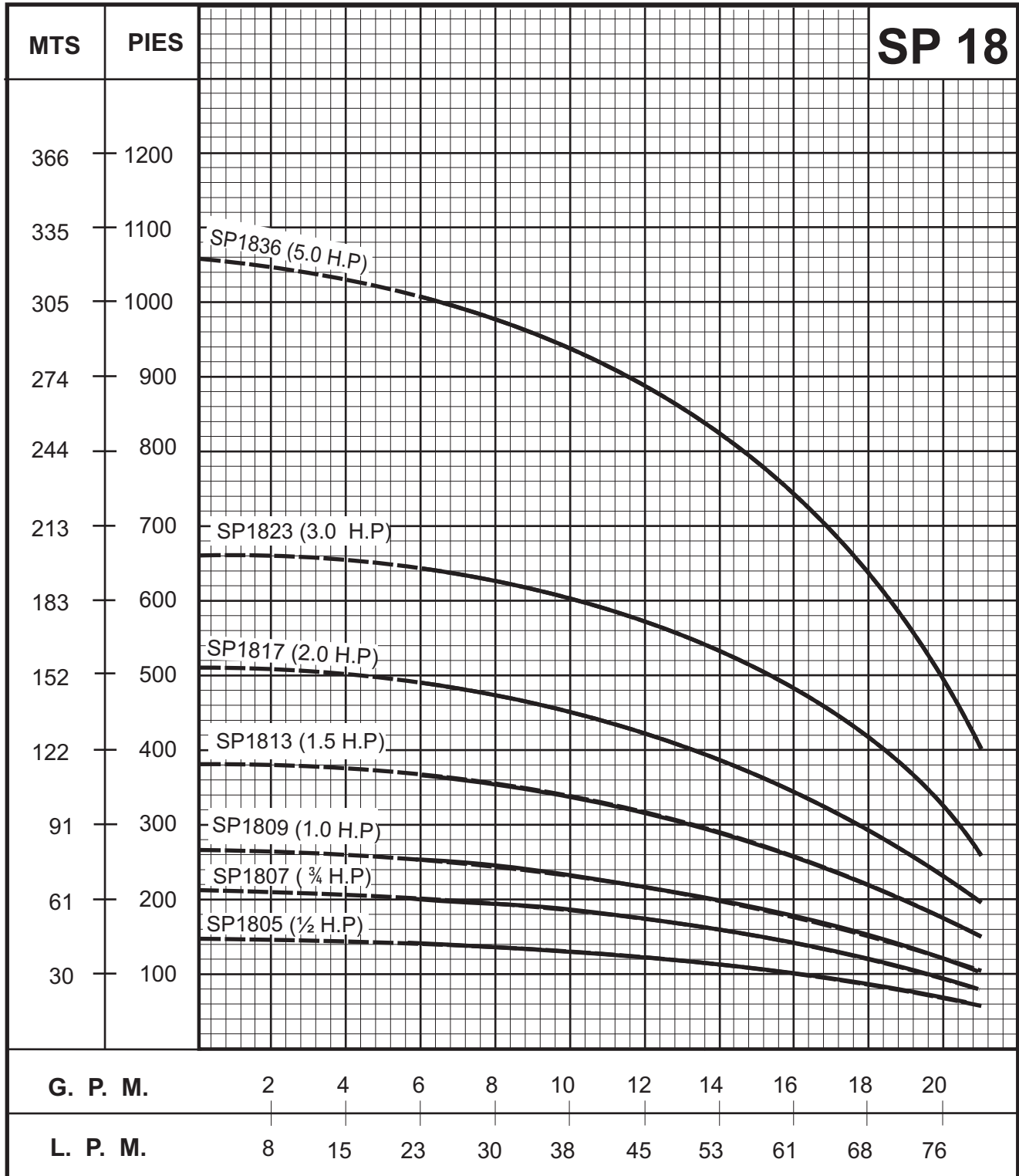
18 GPM

ACERO INOX

RANGO: 10 - 20 GPM

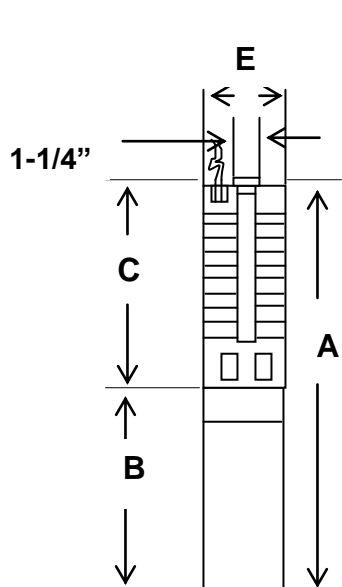
DESCARGA: 1-1/4" NPT

DIÁMETRO NOMINAL 4"



SPECIFICATIONS SUBJECT TO CHANGE WITHOUT NOTICE. Performance conforms to ISO 2548 annex B @ 2 ft. Min. Submergence.

SERIE SP	18 GPM	ACERO INOX
-----------------	---------------	-------------------



MODEL	HP	DIMENSIONS IN INCHES		MAX. WINDTH (E)	APROX.MT. (LBS)
		A	B		
SP1805	1/2	19.7	9.5	3.9	27
SP1807	3/4	23.4	10.6	3.9	29
SP1809	1.0	26.2	11.7	3.9	32
SP1813	1. 1/2	32.8	13.6	3.9	36
SP1817	2.0	36.0	15.1	3.9	40
SP1823	3.0	49.5	23.6	3.9	64
SP1836	5.0	67.1	29.6	3.9	90

*These model are manufactured with special order.

COMPONENT	MATERIAL OF CONSTRUCTIONS
Check Valve Housing	304 Stainless Steel
Check Valve	304 Stainless Steel
Diffuser Chamber	304 Stainless Steel
Split Cone Nut	304 Stainless Steel
Split Cone	304 Stainless Steel
Impeller	304 Stainless Steel
Suction Interconnector	304 Stainless Steel
Inlet Screen	304 Stainless Steel
Straps	304 Stainless Steel
Cable Guard	304 Stainless Steel
Priming Inducer	304 Stainless Steel
Coupling	329/304 Stainless Steel
Coupling Key	302/304 Stainless Steel
Pump Shaft	431 Stainless Steel
Intermediate Bearings	NBR
Impeller Seal Ring	NBR/304 Stainless Steel
Check Valve Seat	NBR/304 Stainless Steel
Top Bearing	NBR/304 Stainless Steel
Motor Adaptor Plate	304 Stainless Steel
Sleeve	304 Stainless Steel